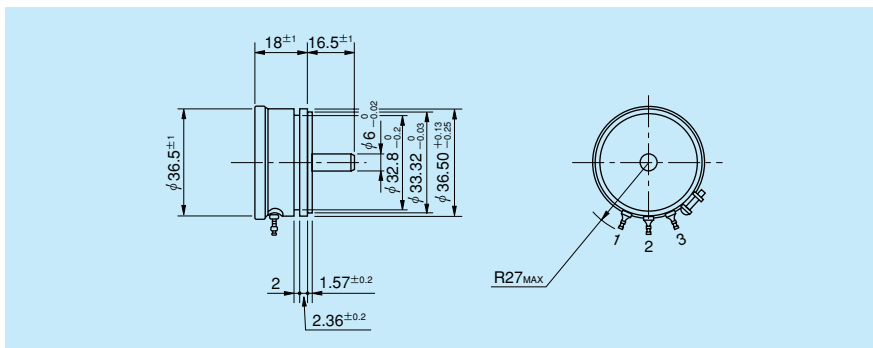




● Standard Dimensions



● General Specifications

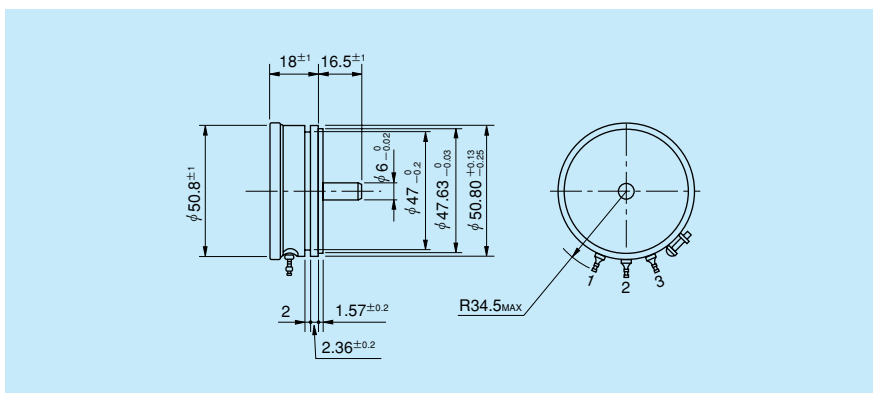
<b>Standard Resistance Values:</b>	1k, 2k, 5k, 10k (Ω)	<b>Contact Resistance Variation:</b>	Within 2% C.R.V.
<b>Special Practical Resistance Values:</b>	500, 20k, 50k, 100k, 200k (Ω)	<b>Power Rating:</b>	2.0W
<b>Total Resistance Tolerance:</b>	Standard Class ±10% (K)	<b>Electrical Travel:</b>	340° ±5°
<b>Independent Linearity Tolerance:</b>	Standard Class ±0.5%	<b>Mechanical Travel:</b>	360° (Endless)
	Precision Class ±0.25%	<b>Insulation Resistance:</b>	Over 1,000MΩ at 1,000V.D.C.
	Super Precision Class ±0.1%	<b>Dielectric Strength:</b>	1 minute at 1,000V.A.C.
<b>Resolution:</b>	Essentially infinite	<b>Starting Torque:</b>	Within 3mN·m (30gf·cm)
<b>Output Smoothness:</b>	Within 0.1% against input voltage	<b>Resistance Temperature Coefficient:</b>	±400p.p.m./°C
		<b>Mass:</b>	Approx. 60g

● Special Specifications Available

Extra taps (Available up to 3 taps), Multi-ganged (Available up to 7 gangs, Housing length is extended by 12mm per 1 gang), Shaft with front and rear extension (Rear shaft with 6mm dia. and 15mm length), With stopper (Rotating angle becomes 320° and stopper strength is 0.9N·m [9kgf·cm]), Special electrical travel, Shaft dia. (φ 6.35mm) with inch dimensions, Special machining on the shaft.



● Standard Dimensions



## ● General Specifications

<b>Standard Resistance Values:</b>	1k, 2k, 5k, 10k ( $\Omega$ )	<b>Contact Resistance Variation:</b>	Within 2% C.R.V.
<b>Special Practical Resistance Values:</b>	500, 20k, 50k, 100k, 200k, 500k ( $\Omega$ )	<b>Power Rating:</b>	3.0W
<b>Total Resistance Tolerance:</b>	Standard Class $\pm 10\%$ (K)	<b>Electrical Travel:</b>	$350^\circ \pm 5^\circ$
<b>Independent Linearity Tolerance:</b>	Standard Class $\pm 0.5\%$ Precision Class $\pm 0.2\%$ Super Precision Class $\pm 0.05\%$	<b>Mechanical Travel:</b>	$360^\circ$ (Endless)
<b>Resolution:</b>	Essentially infinite	<b>Insulation Resistance:</b>	Over 1,000M $\Omega$ at 1,000V.D.C.
<b>Output Smoothness:</b>	Within 0.1% against input voltage	<b>Dielectric Strength:</b>	1 minute at 1,000V.A.C.
		<b>Starting Torque:</b>	Within 4mN·m (40gf·cm)
		<b>Resistance Temperature Coefficient:</b>	$\pm 400$ p.p.m./ $^\circ\text{C}$
		<b>Mass:</b>	Approx. 80g

## ● Special Specifications Available

Extra taps (Available up to 3 taps), Multi-ganged (Available up to 7 gangs, Housing length is extended by 12mm per 1 gang), Shaft with front and rear extension (Rear shaft with 6mm dia. and 15mm length), With stopper (Rotating angle becomes  $320^\circ$  and stopper strength is 0.9N·m [9kgf·cm]), Special electrical travel, Shaft dia. ( $\phi$  6.35mm) with inch dimensions, Special machining on the shaft.